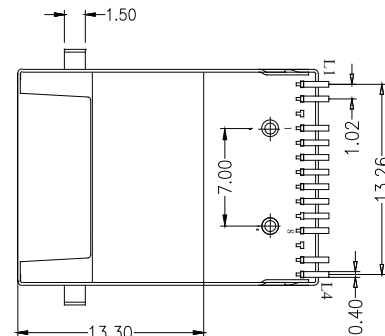
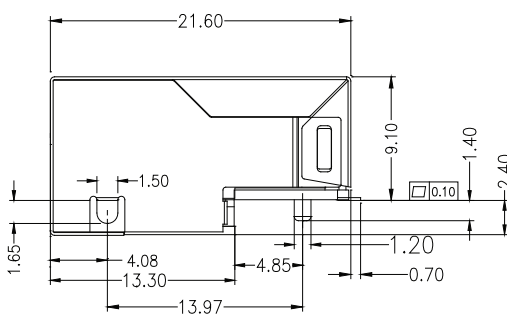
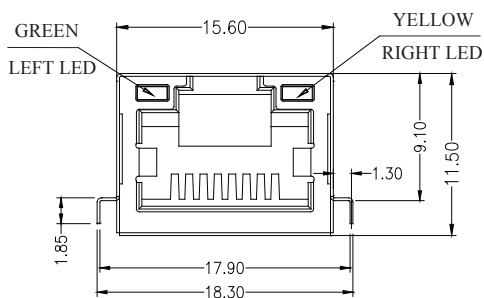


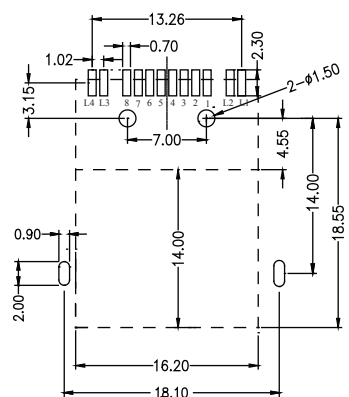
# Coorle 库乐科技



## Feature:

- Compliant with IEEE802.3u standard including 350uH OCL with 8mA DC Bias
- Integrated Mag-modular design provides higher reliability and conserves minimizing PCB space
- Housing: Thermoplastic LCP UL94V0 rated
- Contact :Phosphor Bronze(C5191),Gold plated on contact area 6u"
- Input Terminal : Brass(C2680)
- Metal shielding:Copper alloy with Nickel plated(C2680),
- Different color of LEDs option available
- Operating temperature:0°C to +75°C
- Resistance to soldering heat:255°C for 5seconds, and only for reflow soldering process.

Lead-free process,compliant RoHS



SUGGESTED PCB LAYOUT (TOP VIEW)  
DIMENSIONAL TOLERANCE: .XX ±0.05[0.001]

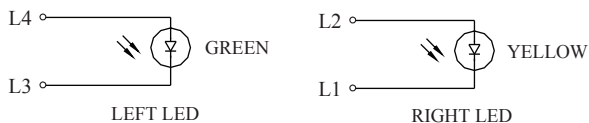
## Electrical Specifications: (25°C)

Insertion Loss dB Max	Return Loss dB Min			Common Mode Rejection dB TYP		Crosstalk dB TYP	Hi-Pot (vrms)
	1~30MHz	60~80MHz	80~100MHz	1~100MHz	150MHz		
-1.0	-18.0	-12.0	-10.0	-30.0	-20.0	-30.0	1200/1mA

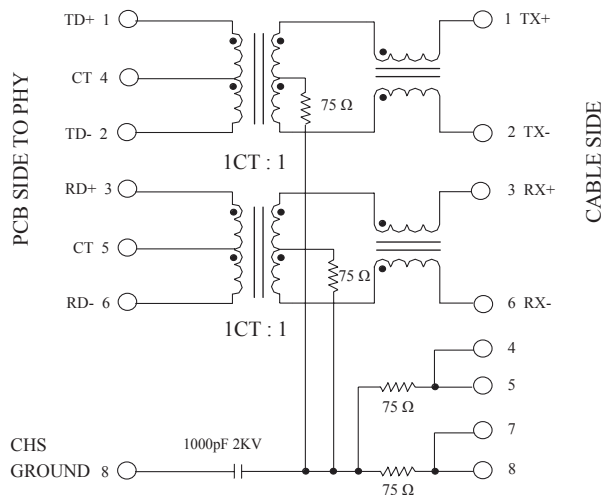
## LED Specifications:

Standard LED Color	LED Wavelength	Forward (V Max)	Typical (V TYP)
Green	560-580 nm	2.5	2.1~2.2
Yellow	580-610 nm	2.5	2.1~2.2

- LED intensity/wavelength measured with Photo research PR-650 colormeter
- With a forward Current of 20mA,absolute maximum ratings (Ta=25°)



## SCHEMATIC



Prepared BY : YQSun	Unspecified tolerance (Unit : mm)	Title	RJ45 Connector
Approved BY : X.J.Fang	.x +/- 0.38	Manufacture P/N	RJ45T-100M-009
	.xx +/- 0.25	Sheet 1 of 1	Rev. A0
	.xxx +/- 0.13		

## 回流焊推荐温度曲线

### Limiting Values:

The below temperature profile for moisture sensitivity characterization is based on the IPC/JEDEC joint industry standard: J-STD-020D-01.

湿气敏感等级	环境	车间寿命
3	暴露于 $\leq 30^{\circ}\text{C}/60\% \text{RH}$	168小时车间寿命

### 回流焊推荐温度

- 1 預熱區：由室溫到 $140^{\circ}\text{C}$ ，升溫率 $1\sim 3^{\circ}\text{C}/\text{sec}$ 。
- 2 恆溫區： $140\sim 200^{\circ}\text{C}$ ，時間為 $60\sim 120$ 秒。
- 3 焊接區：溫度 $220\sim 220^{\circ}\text{C}$ ，時間 $20$ 秒至 $40$ 秒。
- 4 最高溫度 $250\sim 255^{\circ}\text{C}$
- 5 冷卻區：降溫率 $2\sim 4^{\circ}\text{C}/\text{sec}$ 。
- 6 允許最大焊接次數： $3$ 次

